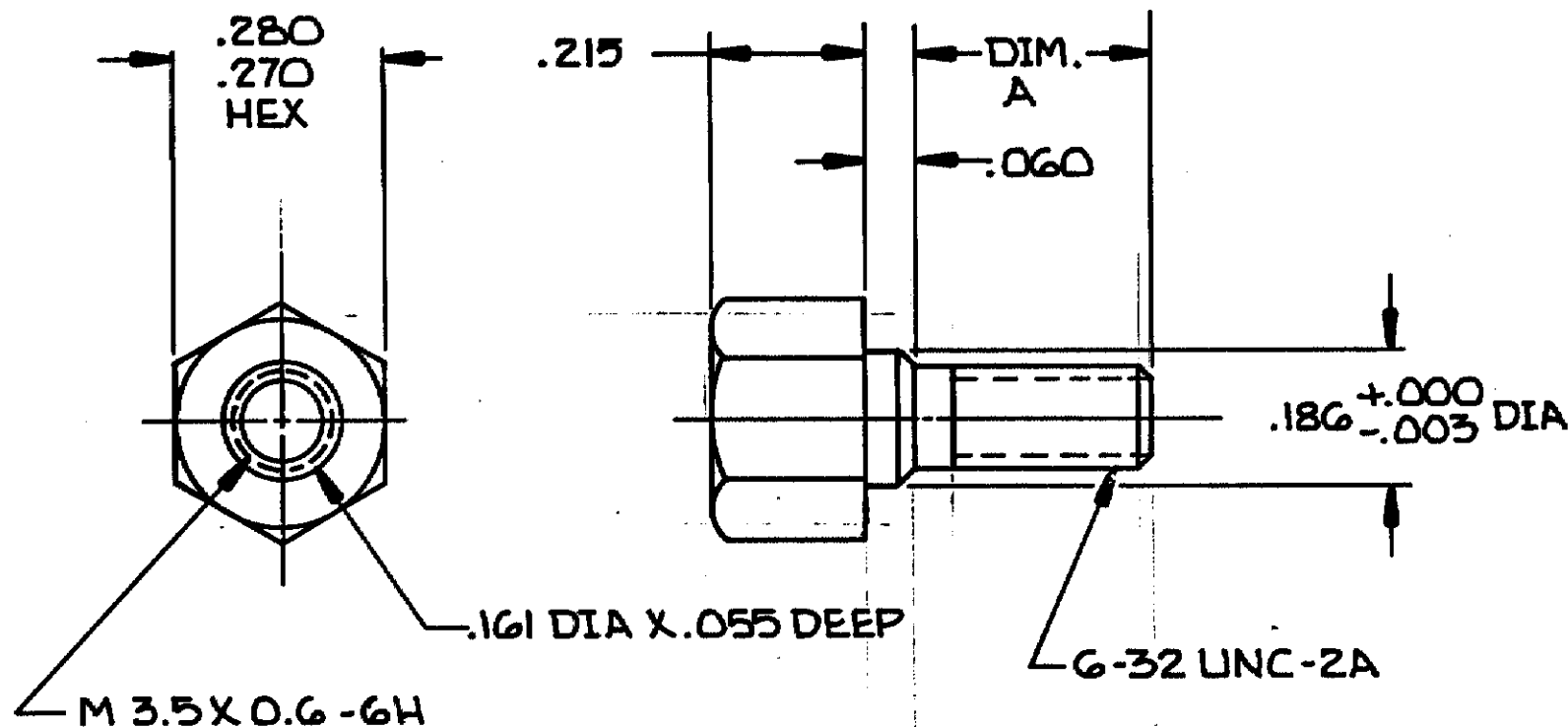


© COPYRIGHT

REVISIONS						
P	F	ZONE	LTR	DESCRIPTION	DATE	APPROVED
✓			A1	REVISED PER ECO-11-005294	12APR11	HMR



1. ALL DIMENSIONS SHOWN ARE MAXIMUM UNLESS OTHERWISE SPECIFIED.
2. MATERIAL: BLACK OXIDE COATED CARBON STEEL.
3. PARTS COATED WITH AMP APPROVED CORROSION PREVENTATIVE.
4. PACKAGED 10,000 PER BOX.
5. PACKAGED 500 STANDOFFS PER BAG.

5	.320	554043-3
4	.205	554043-2
	.320	554043-1
PACKAGED	DIM. A	PART NO

UNLESS OTHERWISE SPECIFIED DIMENSIONS ARE IN INCHES.
TOLERANCES ON:
DECIMALS ±
ANGLES ±

MATERIAL 2

FINISH 2

CONTRACT NO
DR DB 5-17-88
CHK G. Panty 6/3/88
APPD D. Trammell 6/3/88
APPD R. J. Johnson 6-3-88
DSGN APPD
OTHER APPD

TE TE Connectivity

NAME STANDOFF, MOUNTING STUD, HEX HEAD, CHAMP®

SIZE B FSCM NO 00779 DRAWING NO 554043

SCALE 4:1 SHEET 1 OF 1